

SEA&LAND ELECTRONIC CORP.

13F.,No.120-10,
 Sec.3,Zhongshan Rd.,Zhonghe City,Taipei County,
 Taiwan, R.O.C.
 Tel.: 886-2-8221-2567
 Fax.: 886-2-2225-7268

Techfuse
PTC Devices
 Resettable Fuse

PRODUCT: R60-040
 DOCUMENT: QR0429
 ECN. NO.:
 REV LETTER:
 REV DATE: 2020/12/16
 PAGE NO.: 1 of 1

Specification Sheet

Insulating Material:
 meets UL94 V-0 Requirements

Lead-free,RoHS compliant

Lead Material:
 Tin plated copper-clad steel, 24AWG (0.020"Dia)

Marking:



- ChipFast Logo
- R60 - Radial type 60V
- 040 - hold current
- XXXXY - Date code & Factory code

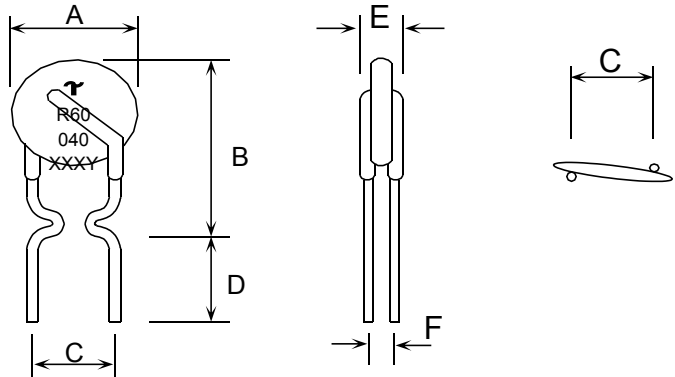


TABLE I. DIMENSIONS:

	A	B	C	D	E	F
	MAX	MAX	TYP	MIN	MAX	MAX
mm	7.6	13.5	5.1	7.6	3.1	1.2
in	0.30	0.53	0.20	0.30	0.12	0.05

TABLE II. PERFORMANCE RATINGS:

Model	V _{max} (Vdc)	I _{max} (A)	I _{hold} @25°C (A)	I _{trip} @25°C (A)	P _d Typ. (W)	Maximum Time		Resistance	
						To Trip		R _{imin} (Ω)	R _{1max} (Ω)
						Current (A)	Time (Sec)		
R60-040	60	40	0.40	0.80	0.56	2.00	3.8	0.400	1.290

Order information

Packing

R60	040	K or S	R or U	Model	Reel Q'ty	Bag Q'ty
Radial type 60 V	Hold Current (A)	K=Kink leads S=Straight leads	R= Tape & Reel U= Bulk packaged	R60-040	3000	500

Tape & Reel packaging per EIA468-B stan

Recognition: UL/TÜV, approved.

E201504/E319079
R 50274672
2015/863/EU
EN14582

